
SIGNALS

**Rockwell
Collins**

Monthly Newsletter of the

Amateur Radio Club

Volume 39 Issue 11

Web Site <http://www.w5rok.us>

August 2018

RCARC Membership Meeting

Tuesday 28 August 2018
1700 Social 1730 Meeting
1800 Program

Methodist Richardson Medical Center
At Bush/Renner/Shiloh Intersection
Conference Room A in Hospital Building

Subject:

***The program for this month's
meeting was not finalized at news-
letter publication time***

month. The sirens are monitored by amateur radio operators and reports made using the Richardson Wireless Klub (RWK) repeater at 147.120 MHz. Siren testing occasionally uses the University of Texas at Dallas (UTD) repeater at 145.430 MHz, which is designated as the backup repeater.

Crime Watch Patrol Jim Skinner WB0UNI participated in Richardson Duck Creek Crime Watch Patrol (CWP). CWP members, after successful completion of Richardson Police Department Training, patrol their neighborhoods and report all suspicious activities to the Police Department.

ARRL September VHF Contest

The ARRL September VHF Contest is the weekend of 8-9 September 2018.

N0LD/R and K5SRT/R will be joining forces again this contest. Their planned route will be available on www.okrover.info. A Facebook link is also on their web page.

They plan to communicate during the contest via Facebook – reporting position and pictures en route, and via an IM that we will establish just prior to the VHF contest. Bob K3NT plans to be part of the K5SRT/R (Ross Terry) team.

Local Club News

Meeting Notice

In addition to the monthly business meeting, this month's meeting is expected to include a presentation by one of our esteemed members.

RCARC Community Service Activities

Siren Testing Dennis Cobb WA8ZBT, John McFadden K5TIP and Jim Skinner WB0UNI participated in the Richardson emergency siren testing on 1 August 2018. Almost all of the sirens performed normally with just a few minor glitches. The siren testing is performed at 12:00 on the first Wednesday of each



weeks. (Contributed by Dennis Cobb WA8ZBT)

RCARC OFFICERS			
PRESIDENT Gene Duprey 319.270.8159 geneduprey2015@gmail.com	K1GD	VICE-PRESIDENT AVAILABLE	
SECRETARY Jim Brown 972.495.2209 jhksbrown@verizon.net	AF5MA	TREASURER Rohan Thomas 972.697.3512 Rohan7066@yahoo.com	KG5RCN
ACTIVITIES AVAILABLE		WEBSITE MANAGER Mike Hollingsworth 972.571.6060 w5qh@arri.net	W5QH
STATION TRUSTEE Bob Kirby 319.360.0500 k3nt@arri.net	K3NT	NEWSLETTER EDITOR Jim Skinner 214.535.5264 wb0uni@arri.net	WB0UNI
MEMBERSHIP Joe Wolf 214.202.2757 n5uic@arri.net	N5UIC	W5ROK CLUB STATION 972.705.1349 461-290	

VE SESSIONS

Dallas tests are held on the fourth Saturday of each month at 1000 hrs. 13350 Floyd Rd. (Old Credit Union) Contact Bob West, WA8YCD 972.917.6362

Irving tests are held on the third Saturday of each month at 0900. Fifth and Main St. Contact Bill Revis, KF5BL 252-8015

McKinney VE test sessions are held at the Heard Museum the first Sunday of the month. The address is 1 Nature Place, McKinney TX. The time of the testing is 1430, ending no later than 1645. **Note: no tests given on holiday week-ends.**

Garland testing is held on the fourth Thursday of each month, excluding November, and begins at 1930 sharp. Location is Freeman Heights Baptist. Church, 1120 N Garland Ave, Garland (between W Walnut and Buckingham Rd). Enter via the north driveway. A HUGE parking lot is located behind the church. Both the parking lot and the Fellowship Hall are located on the east side of the church building, with big signs by the entrance door. Contact Janet Crenshaw, WB9ZPH at 972.302.9992.

Plano testing is on the third Saturday of each month, 1300 hrs at Williams High School, 1717 17th St. East Plano. Check Repeater 147.180+ for announcements.

Richardson The Richardson Wireless Klub (RWK) VE team hold license testing on the third Thursday of each month at St. Barnabas Presbyterian Church, 1220 West Beltline Rd. Testing begins at 1900 hrs in room 12. Enter through the Northern most door on the east side of the

church building. For further information contact Dave Russell W2DMR, at 972.690.9894 or E-mail warhog4@tx.rr.com.

SIGNALS is the monthly newsletter of the Rockwell Collins Amateur Radio Club, published by and for its members. The entire contents of this newsletter are copyright © 2018 by the Rockwell Collins Amateur Radio Club. Permission is hereby granted to any not-for-profit amateur radio publication to reprint any portion of this newsletter provided both the author and Rockwell Collins Amateur Radio Club are credited.

President and VP Messages

Hello everyone. I trust you are all having a great end to summer. With the cooling temps, it's time for antenna work and other efforts around the shack. I have been testing the Radiosport RS20S headset for possible use in the club station. Also, I have been re-installing my mobile radio into my Z3 Coupe, as the previous installation bit the dust a couple of months ago.

First the RS20S headset. I have been using this headset for a week or so, and have found the isolation from other room noise to be very good. It's not 100%, but it easily cuts out distractions. The audio characteristics are also very good, although not as good as my Sennheiser head phones, but then there is ZERO sound isolation from the room with those. Comfort is quite good, even with glasses, which was a concern from several at the last meeting. I had looked at other brands, but after researching them on the web, eliminated them from my search. The only down side to the Radiosport is the price: \$169. But I think they are well worth the price. They also get excellent reviews on the web.

As for my Z3 Coupe radio installation, the radio mount broke, and the mag mounted antenna was creating a ring in the paint. So, I took the pole mount that I had used in the Touareg, and installed it into the Z3, which was way more solid than in the VW due to the way the seat rails were formed. The height was just perfect with the radio mounted. I had bought a right angle mount several years ago, intending on using it on the VW, but it never worked out. The bracket was just right for the Z3, so I mounted it and now the installation is just perfect and looks very nice. And works quite well also.

Well that's all for now, hope to see everyone at the meeting.

See you at the meeting & 73's,
Gene, K1GD
RCARC President

Secretary's Report

24 July 2018

President Gene Duprey K1GD called the meeting to order at 1735.

The following were present at the meeting:

Jim Brown	AF5MA
Dennis Cobb	WA8ZBT
Gene Duprey	K1GD
Bob Kirby	K3NT
John McFadden	K5TIP
Mike Schmit	WA9WCC
Jim Skinner	WB0UNI
Rohan Thomas	KG5RCN
Joe Wolf	N5UIC

Officers and Committee Reports:

There were no formal reports other than the Secretary's Report, which is contained in this newsletter.

Old Business:

Dennis Cobb WA8ZBT reported that the station was fully operational with no changes since the last meeting.

Club treasurer Rohan Thomas KG5RCN reported that the organization was solvent with no outstanding financial concerns.

Bob Kirby K3NT noted that club membership data was not current. It was agreed that a near-term effort is required to review and re-establish the membership database. Action was deferred.

No status has yet been received from Rockwell Collins (Cedar Rapids) on annual club funding.

New Business:

Gene Duprey K1GD presented his research on alternatives for club purchase of new headphones. Possible choices for acquisition of a software-defined radio were also discussed. No decisions were made on specific purchases.

Adjournment:

The meeting was adjourned at 1856.

NIST FY 2019 Budget Would Eliminate WWV and WWVH

08/11/2018

The National Institute of Standards and Technology ([NIST](#)) FY 2019 budget request includes shutting down "NIST radio stations in Colorado and Hawaii" — in other words, WWV and WWVH. Radio amateurs, HF listeners, and others around the world routinely make use of the time and

frequency standard signals, which also include propagation information. NIST said eliminating funding currently "supporting fundamental measurement dissemination" would include putting WWV and WWVH off the air for a saving of \$6.3 million. The NIST FY 2019 budget request for efforts related to Fundamental Measurement, Quantum Science and Measurement Dissemination is \$127 million, which, the agency said, is a net decrease of \$49 million from FY 2018 levels. The Administration's [overall NIST budget](#) request is more than \$629 million.

"The proposed reductions will allow NIST to consolidate and focus on narrower core [fundamental] measurement programs while meeting budget levels," the agency said in its FY 2019 [budget summary](#). "NIST will focus on basic research while reducing funding for efforts applying some of its breakthroughs into new measurement applications.

The FY 2019 proposed budget cuts developed earlier this year came to light via Tom Witherspoon, K4SWL, who maintains [The SWLing Post](#) website, after a number of viewers called it to his attention. He posted an [article](#) on his blog.

"I've always considered WWV and WWVH to be the heart-beat of the shortwaves here in North America — a constant, timely companion and brilliant gauge of HF propagation," Witherspoon wrote. I assumed both stations would be some of the last to go silent on the shortwaves."

NIST said other "illustrative" cuts in the FY 2019 budget include:

- \$3.5 million for Lab to Market, which seeks to accelerate technology transfer from federal.
- \$6.6 million in environmental measurements projects across NIST laboratories, including work measuring the impact of aerosols on pollution and climate change, and gas reference materials used by industry to reduce costs of complying with regulations.
- \$5.8 million eliminating the NIST Greenhouse Gas (GHG) Measurements program, including Urban Dome research grants to advance the direct measurement of GHG emissions on the scale of cities or regions.
- \$6.7 million in forensic science, reducing the program size to \$7.3 million by prioritizing measurement science in the NIST labs and eliminating program management functions and external grants for the Organization of Scientific Area Committees for Forensic Science and the Forensic Science Center of Excellence.
- \$4.1 million in R&D targeting application of NIST quantum breakthroughs to applied measurement needs, including temperature and atmospheric gas metrology.

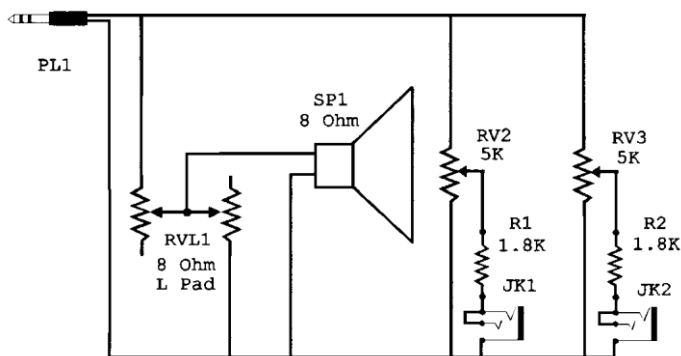
"I find this budget request very disappointing," Witherspoon said with respect to the proposed elimination of WWV and WWVH. "Let's hope, somehow, this does not come to fruition." He said *The SWLing Post* would be tracking and posting any new developments.

(Contributed by Dennis Cobb WA8ZBT)

(Editor's note: a petition to maintain funding for NIST stations WWV and WWVH can be found at the following website: <https://petitions.whitehouse.gov/petition/maintain-funding-nist-stations-wwv-wwvh>.)

Squawk Box

Here is a cheap, useful station accessory for public and home use. The box allows you and a logger to hear the radio with headphones, with individual adjustable volume. Additionally, the box contains an adjustable speaker so guests may also hear the action.



http://www.kwarc.org/tech/squawk_box.htm

(Contributed by Bob Kirby K3NT)

The Early Days of PSK-31

With all the hype about FT-8 taking over the bands I was recently asked about another mode that had the same hype. PSK-31 became popular in the mid 90's with a free program that used a computer's sound card and could run under Windows operating system.

PSK-31 is a keyboard to keyboard conversational mode, like RTTY (radio teletype), great for rag-chewing or quick 'macro based' QSOs, somewhat like FT8 but without the automatic QSO mode.

The web link below is an interesting early article on the subject that you may enjoy. This article provides some early history along with how to get started with PSK-31, including interfacing the PC soundcard to the radio.

Today's digital programs like DM-780?, FLDGI, etc include PSK-31. I note that there is still PSK-31 activity on the bands. It's more of a conversation mode where one can get to know the operator on the other end of the radio circuit.

<http://www.kwarc.org/tech/psk31.htm>

The author, Steve Ford, WB8IMY was at the 2018 Ham-Com in Plano. Steve still has a great monthly column in 'QST'.

(Contributed by Bob Kirby K3NT)

Upcoming Events

Daily	DFW Early Traffic Net (NTS) at 6:30pm 146.88 – PL 110.9Hz
Daily	DFW Late Traffic Net (NTS) at 10:30pm 146.72 – PL 110.9Hz
Daily	Texas CW Traffic Net at 7:00pm on 3541 KHz and at 10pm on 3541 KHz www.k6jt.com
1st Wednesday	Richardson Emergency Siren Test. At noon using the Richardson Wireless Klub (RWK) repeater at 147.120 MHz.
2nd Wednesday	ARES North Texas HF Net Every month—3860 KHz at 8:30 pm—9:30pm

SEPTEMBER

- 8-10** **September VHF**—For amateurs in the US and Canada (and their possessions) to work as many amateur stations in as many different 2 degrees x 1 degree Maidenhead grid squares as possible using authorized frequencies above 50 MHz. Begins 1800 UTC Saturday and runs through 0259 UTC Monday. Details at <http://www.arrl.org/sep-tember-vhf>.
- 15-16** **10 GHz and up – Round Two**—See **10 GHz and up – Round One** above.
- 29-30** **EME – 2.3 GHz and Up**—Work as many amateur stations as possible via earth-moon-earth path on authorized frequencies above 50 MHz. From 0000 UTC Saturday through 2359 UTC Sunday. Details at <http://www.arrl.org/eme-contest>.

OCTOBER

- 15-19** **School Club Roundup**—Objective: To exchange QSO information with club stations that are part of an elementary, middle, high school or college. Non-school clubs and individuals are encouraged to participate. event runs Monday through Friday from 1300 UTC Monday through 2359 UTC Friday. A station may operate no more than 6 hours in a 24-hour period, and a maximum of 24 hours of the 107 hour event. Details at <http://www.arrl.org/school-club-roundup>.
- 27-28** **EME - 50 to 1296 MHz**—Objective: To work as many amateur stations as possible via the earth-moon-earth path on any authorized amateur frequency above 50 MHz. Full weekend 48-hour period (0000 UTC on Saturday through 2359 UTC Sunday). Details at <http://www.arrl.org/eme-contest>.

Texas Chili Cook-off

If you can read this whole story without laughing, there's no hope for you. This is reportedly an actual account, as relayed to paramedics at a chili cook-off in Texas.

For you Texans, you know how true this is. Judge #3 was an inexperienced Chile taster named Frank, who was visiting from Springfield, IL.

Frank: "Recently, I was honored to be selected as a judge at a chili cook-off. The original person called in sick at the last moment and I happened to be standing there at the judge's table, asking for directions to the Coors Light truck, when the call came in. I was assured by the other two judges (Native Texans) that the chili wouldn't be all that spicy; and, besides, they told me I could have free beer during the tasting, so I accepted and became Judge #3."

Here are the scorecard notes from the event:

CHILI # 1 - MIKE'S MANIAC MONSTER CHILI

Judge # 1 -- A little too heavy on the tomato. Amusing kick.

Judge # 2 -- Nice, smooth tomato flavor. Very mild.

Judge # 3 (Frank)-- Holy crap, what is this stuff? You could remove dried paint from your driveway. Took me two beers to put the flames out. I hope that's the worst one. These Texans are crazy.

CHILI # 2 - EL RANCHO'S AFTERBURNER CHILI

Judge # 1 -- Smoky, with a hint of pork. Slight jalapeno tang.

Judge # 2 -- Exciting BBQ flavor, needs more peppers to be taken seriously.

Judge # 3 -- Keep this out of the reach of children. I'm not sure what I'm supposed to taste besides pain. I had to wave off two people who wanted to give me the Heimlich maneuver. They had to rush in more beer when they saw the look on my face.

CHILI # 3 - ALFREDO'S FAMOUS BURN DOWN THE BARN CHILI

Judge # 1 -- Excellent firehouse chili. Great kick.

Judge # 2 -- A bit salty, good use of peppers.

Judge # 3 -- Call the EPA. I've located a uranium spill. My nose feels like I have been snorting Drano. Everyone knows the routine by now. Get me more beer before I ignite. Barmaid pounded me on the back, now my backbone is in the front part of my chest. I'm getting s***-faced from all of the beer.

CHILI # 4=2 0- BUBBA'S BLACK MAGIC

Judge # 1 -- Black bean chili with almost no spice. Disappointing.

Judge # 2 -- Hint of lime in the black beans. Good side dish for fish or other mild foods, not much of a chili.

Judge # 3 -- I felt something scraping across my tongue, but was unable to taste it. Is it possible to burn out taste buds? Sally, the beer maid, was standing behind me with fresh refills. This 300 lb. woman is starting to look HOT.

Just like this nuclear waste I'm eating! Is chili an aphrodisiac?

CHILI # 5 - LISA'S LEGAL LIP REMOVER

Judge # 1 -- Meaty, strong chili. Jalapeno peppers freshly ground, adding considerable kick. Very impressive.

Judge # 2 -- Chili using shredded beef, could use more tomato. Must admit the jalapeno peppers make a strong statement.

Judge # 3 -- My ears are ringing, sweat is pouring off my forehead and I can no longer focus my eyes. I outgassed, and four people behind me needed paramedics. The contestant seemed offended when I told her that her chili had given me brain damage. Sally saved my tongue from bleeding by pouring beer directly on it from the pitcher. I wonder if I'm burning my lips off. It really ticks me off that the other judges asked me to stop screaming.

CHILI # 6 - VARGA'S VERY VEGETARIAN VARIETY

Judge # 1 -- Thin yet bold vegetarian variety chili. Good balance of spices and peppers.

Judge # 2 -- The best yet. Aggressive use of peppers, onions, garlic. Superb.

Judge # 3 -- My intestines are now a straight pipe filled with gaseous, sulfuric flames. No one seems inclined to stand behind me except that Sally. Can't feel my lips anymore. I need to wipe my butt with a snow cone.

CHILI # 7 - SUSAN'S SCREAMING SENSATION CHILI

Judge # 1 -- A mediocre chili with too much reliance on canned peppers.

Judge # 2 -- Ho hum, tastes as if the chef literally threw in a can of chili peppers at the last moment. I should take note that I am worried about Judge #3. He appears to be in a bit of distress as he is cursing uncontrollably.

Judge # 3 -- You could put a grenade in my mouth, pull the pin, and I wouldn't feel a thing. I've lost sight in one eye, and the world sounds like it is made of rushing water. My shirt is covered with chili, which slid unnoticed out of my mouth. My pants are full of lava to match my shirt. At least during the autopsy, they'll know what killed me. I've decided to stop breathing. It's too painful. And I'm not getting any oxygen anyway. If I need air, I'll just suck it in through the 4-inch hole in my stomach.

CHILI # 8 - BIG TOM'S TOENAIL CURLING CHILI

Judge # 1 -- The perfect ending, this is a nice blend chili. Not too bold but spicy enough to declare its existence.

Judge # 2 -- This final entry is a good, balanced chili. Neither mild nor hot. Sorry to see that most of it was lost when Judge #3 passed out, fell over, and pulled the chili pot down on top of himself. Not sure if he's going to make it. Poor fella, wonder how he'd have reacted to really hot chili?

Judge # 3 -- No report.

(Editor's note: Several phrases have been sanitized or deleted in consideration of the sensitivities of this newsletter's readers)

Rockwell-Collins

Amateur Radio Club

Mail Station 461-290

P.O. Box 833807

Richardson, TX 75083-3807

TO:



CLUB STATIONS

(972) 705-1349

W5ROK REPEATER

441.875 MHz +5 MHz Input
131.8 Hz PL - RX and TX

W5ROK-1 PACKET BBS ROK Node

145.05 MHz

W5ROK-N1, W5ROK-N2 & W5ROK-N3 HSMM-
MESHNET Nodes 2.4 GHz

Tuesday 28 August 2018

1700 Social 1730 Meeting

Methodist Richardson Medical Ctr
At Bush/Renner/Shiloh Intersection

Conference Room A in Hospital Building

NEXT SIGNALS INPUTS DEADLINE:

→→→ 14 September 2018 ←←←